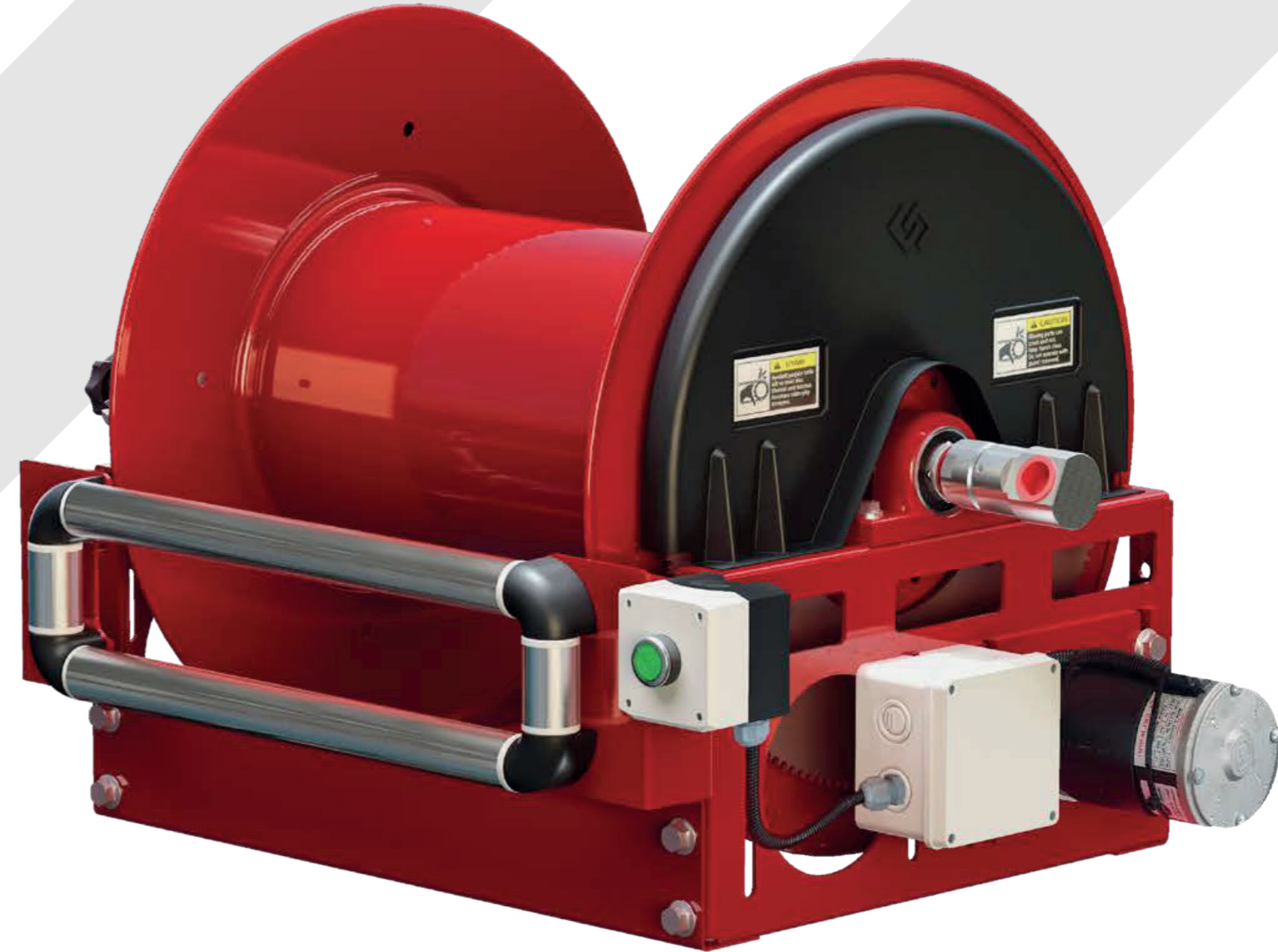


HC & HCE SERIES

HC 40-60-80

HCE 40-60-80



TS EN 1028, Iso 9001, Iso 14001, Iso 18001, CE ve Gost-R



[celiksananaracustu](#) [@celiksan.co](#) [in celiksan](#)

www.celiksankom

Ekrem Demirtaş Caddesi No: 37
İtob Organize Sanayi Bölgesi , 35868 Menderes / İzmir / Turkey
+ 90 232 254 57 27 info@celiksankom

SINCE 1976

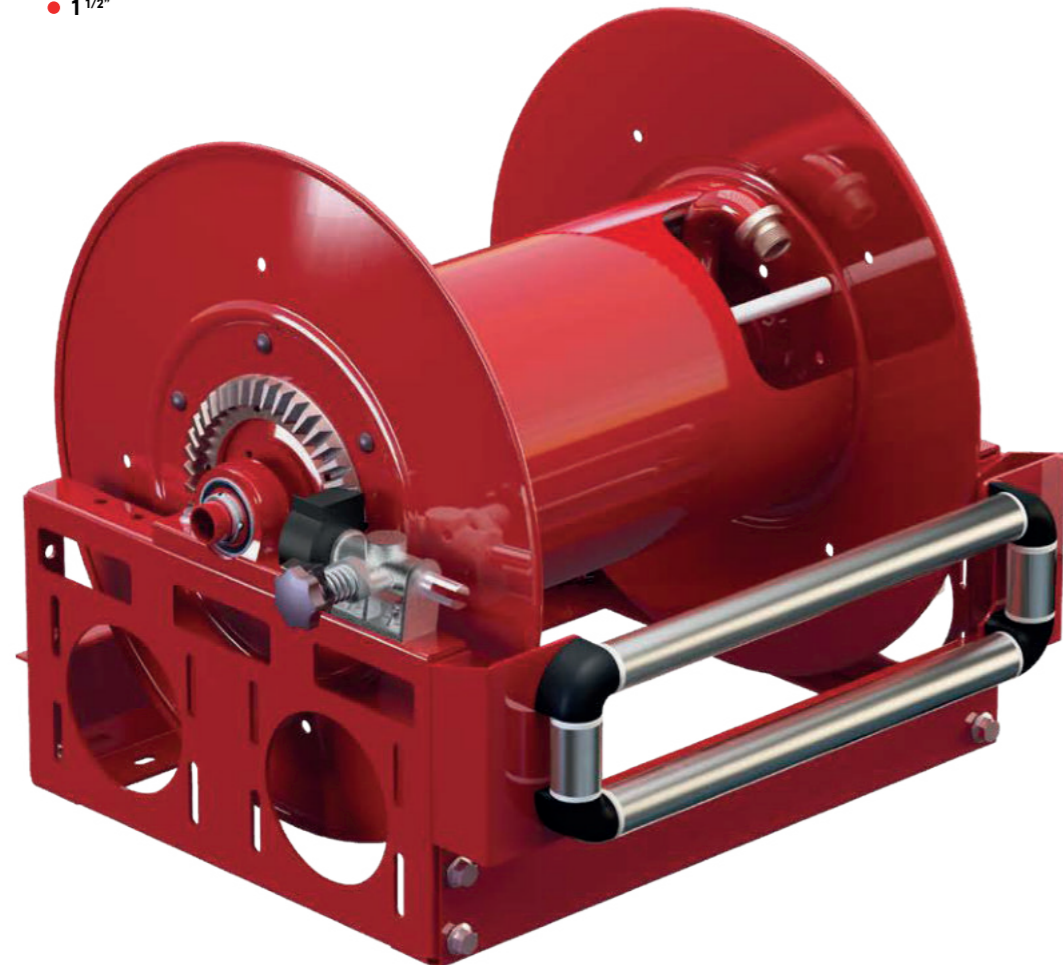
 **CELIKSAN**
one brand

NEW

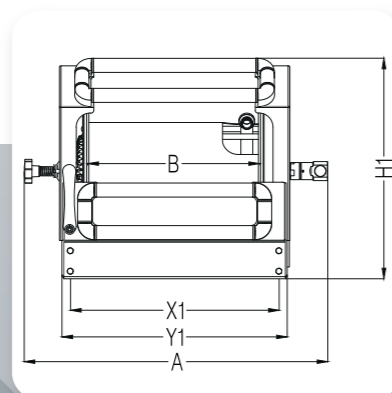
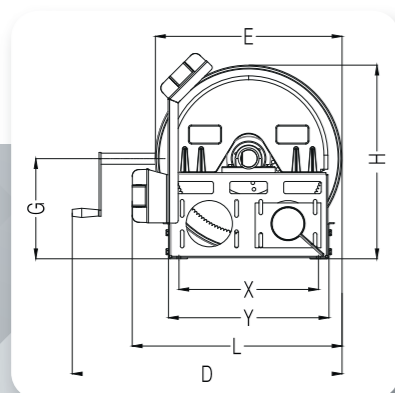
HC SERIES
HC 40-60-80



- 3/4" Water Outlet
- 1" Water Outlet
- 1 1/4"
- 1 1/2"
- Reel Fixing and Braking System
- Manuel Lever Set
- Company Specific Laser-Cut Logo
- Centrifugal Clutch System
- Top Tracking Option



Manuel Technical Details



MODEL	HC 40	HC 60	HC 80
A	750	850	950
B	392	506	605
D	920	920	920
E	570	570	570
F	-	-	-
G	315	315	315
H	603	603	603
H1	637	637	637
L	632	632	632
Y	493	453	493
Y1	547	647	747
X	426	426	426
X1	340	440	540

NEW

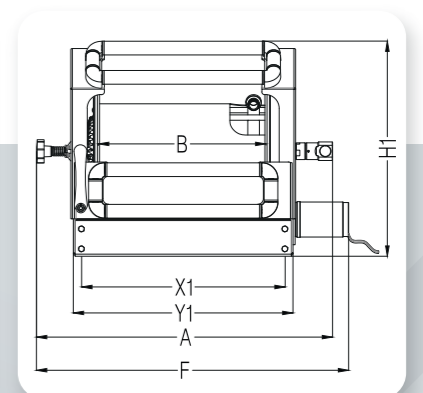
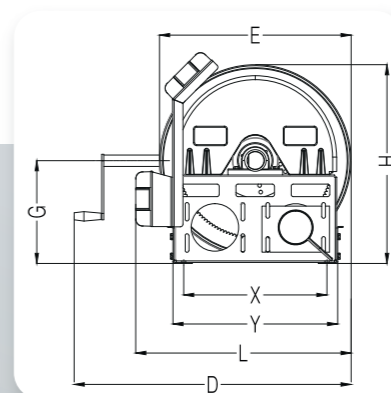
HCE SERIES
HCE 40-60-80



- Mechanical Brake System
- Corrosion Resistant Water Inlet Joint 3/4" - 1" - 1 1/4" - 1 1/2"
- 80 Bar Fire Hose Working Pressure
- Sprocket Protection
- 12V/24V DC Electric Motor
- Hydraulic Motor



Electrical Technical Details



MODEL	HCE 40	HCE 60	HCE 80
A	750	850	950
B	392	506	605
D	920	920	920
E	570	570	570
F	802	902	1002
G	315	315	315
H	603	603	603
H1	637	637	637
L	632	632	632
Y	493	493	493
Y1	547	647	747
X	426	426	426
X1	340	440	540