

## TECHNICAL SPECIFICATIONS

SIRIUS TOWER	1,8	2,5	3
Height (mm)	1.800	2.500	3.000
Weight (kg)			
Automatic Shutdown	Y	Y	Y
Full Complement Opening Time (sec)	10-35	10-37	10-39
Number of Lamps	2 - 4	2 - 4	2 - 4
Type of Lamps	Led	Led	Led
Luminous Intensity (Lumens)	Will Change	30k - 60k	30k - 60k
Upright and Angular Lamp Positioning	Y	Y	Y Opt.
Independent Movement of Each Lamp	Opt.	Opt.	Opt.
VDC/Watt	12 / 24	12 / 24	12 / 24
Wind Resistance (km/h)	80	80	80
Cylindrical Clearance Lamp	Opt.	Opt.	Opt.
Camera System	Opt.	Opt.	Opt.
Wireless Control	Opt.	Opt.	Opt.
Horizontal/Vertical Positioning	Y - D	Y - D	Y - D

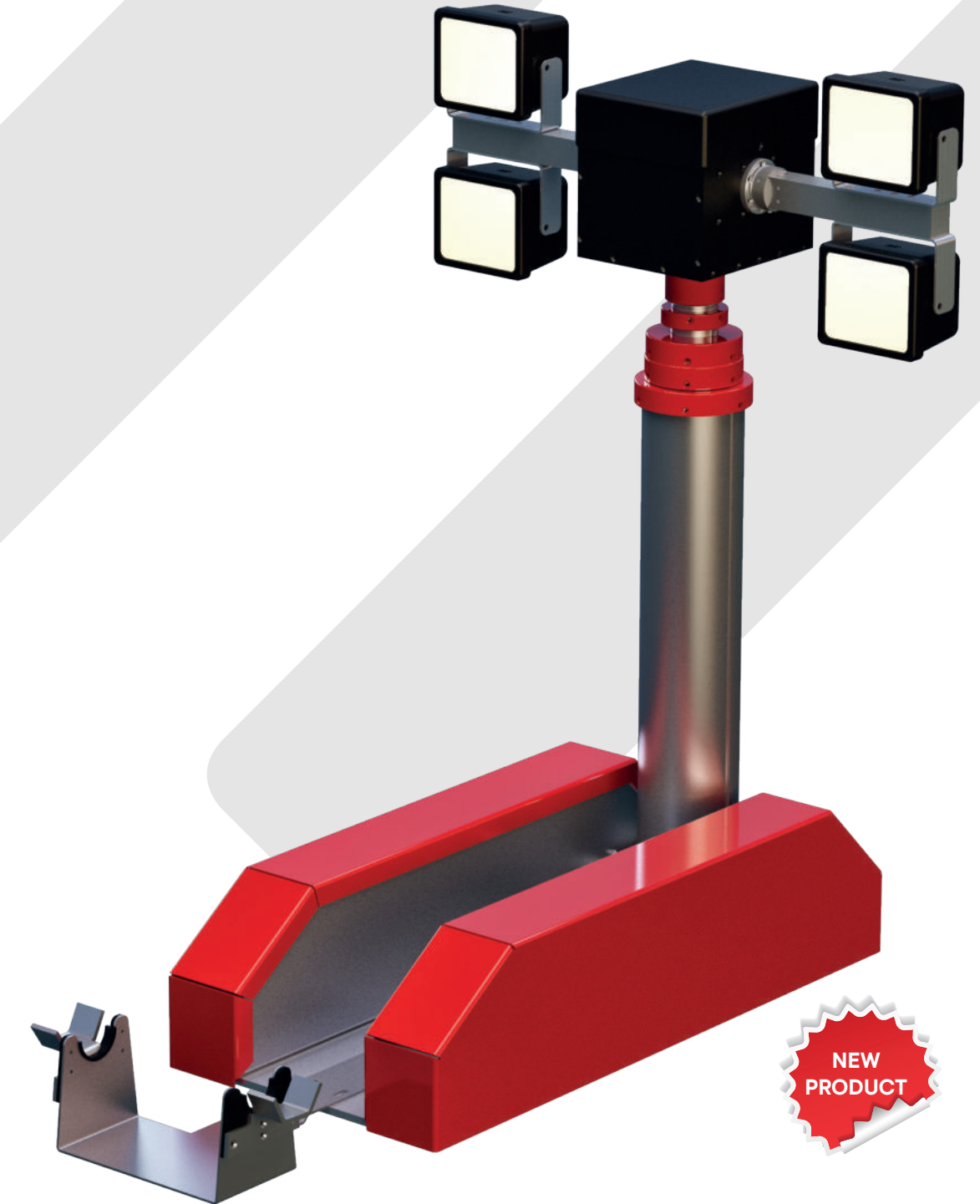
Y: Yes Opt.: Optional H: Horizontal Type k: x1000 L: Led T: Horizontal-Upright Type

VEGA TOWER	3,5	4	5	6
Height (mm)	3.500	4.000	5.000	6.000
Weight (kg)				
Automatic Shutdown	Y	Y	Y	Y
Full Complement Opening Time (sec)	40	40	45	45
Number of Lamps	2 - 4	2 - 4 - 6	2 - 4 - 6	2 - 4 - 6
Type of Lamps	L - H	L - H	L - H	L - H
Luminous Intensity (Lumens)	30k - 60k	30k - 60k	30k - 60k	30k - 60k
Upright and Angular Lamp Positioning	Y	Y	Y	Y
Independent Movement of Each Lamp	Opt.	Opt.	Opt.	Opt.
VDC/Watt	12 / 24	12 / 24	12 / 24	12 / 24
Wind Resistance (km/h)	80	80	80	80
Cylindrical Clearance Lamp	Opt.	Opt.	Opt.	Opt.
Camera System	Opt.	Opt.	Opt.	Opt.
Wireless Control	Opt.	Opt.	Opt.	Opt.
Horizontal/Vertical Positioning	Dik	Dik	Dik	Dik

Y: Yes Opt.: Optional H: Horizontal Type k: x1000 L: Led

[www.celiksank.com](http://www.celiksank.com)

## ROOF ROBOT SERIES



 **CELIKSAK**  
one brand

TS EN 1028, Iso 9001, Iso 14001, Iso 18001, CE ve Gost-R



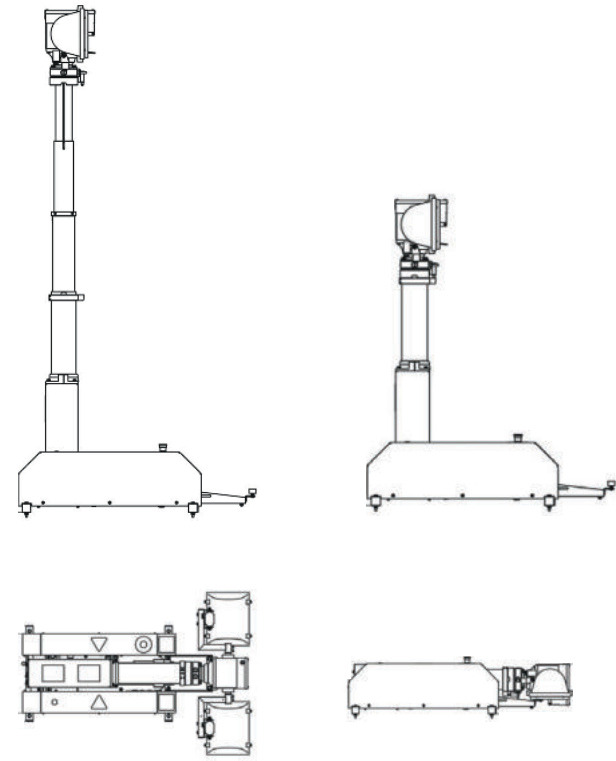
[www.celiksank.com](https://www.celiksank.com)

[www.celiksank.com](http://www.celiksank.com)

Ekrem Demirtaş Caddesi No: 37  
İtob Organize Sanayi Bölgesi, 35868 Menderes / İzmir / Turkey  
+ 90 232 254 57 27 info@celiksank.com

SINCE 1976





**SIRIUS Telescopic Robotic Tower;**  
It is the new product line of Çeliksın company. This series, which is one of the world's market cornerstones, provides a service that never disappoints by providing unparalleled performance in the segment of telescopic robotic lighting developed through research and development studies, where competition is at the highest level with its modern lines.

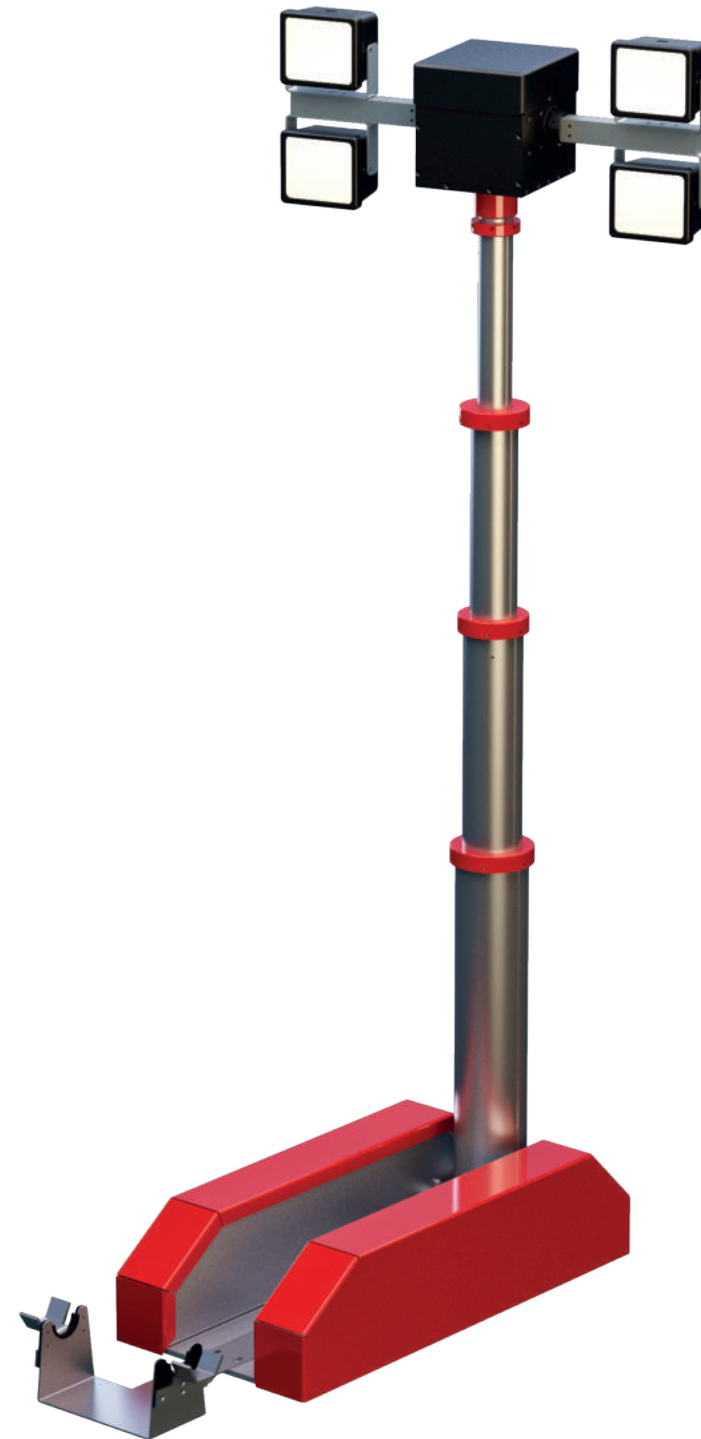
### General Features

- Highly capable electric and air controlled robotic lighting
- Lightweight aluminum body design, durable construction
- 12 and 24 V operating options
- Operation via internal wired and remote control
- Vertical 90 degree, horizontal 180 degree operation ability
- Self-stand-by feature
- Easy and fast installation, applicability in all fields
- The ability to turn the lights in the desired direction thanks to the octopus-head feature
- Controlled self-reset feature (automatic position)
- Durable air tightness, seal system
- Air intake and stabilization and overpressure relief valve
- Connection equipments (foots, fixing bracelet, etc.)

### Options

- Wireless remote control Control panel. (rechargeable battery and equipment)
- Wired Remote control Control panel. (rechargeable battery and equipment)
- Selectable quantity of light, with lumens

## SIRIUS SERIES



## VEGA SERIES



**VEGA Telescopic Tower;**  
It is the new product line of Çeliksın company. This series, which is one of the world's market cornerstones, provides a service that never disappoints by providing unparalleled performance in the segment of telescopic lighting developed through research and development studies, where competition is at the highest level with its modern lines.

### General Features

- Highly capable electric and air controlled robotic lighting
- Lightweight aluminum body design, durable construction
- 12 and 24 V operating options
- Operation via internal wired and remote control
- Vertical ... degree, horizontal ... degree operation ability
- Easy and fast installation, applicability in all fields
- The ability to turn the lights in the desired direction thanks to the octopus-head feature
- Durable air tightness, seal system
- Air intake and stabilization and overpressure relief valve
- Connection equipments (foots, fixing bracelet, etc.)

### Options

- Wireless remote control Control panel. (rechargeable battery and equipment)
- Wired Remote control Control panel. (rechargeable battery and equipment)
- Selectable quantity of light, with lumens

